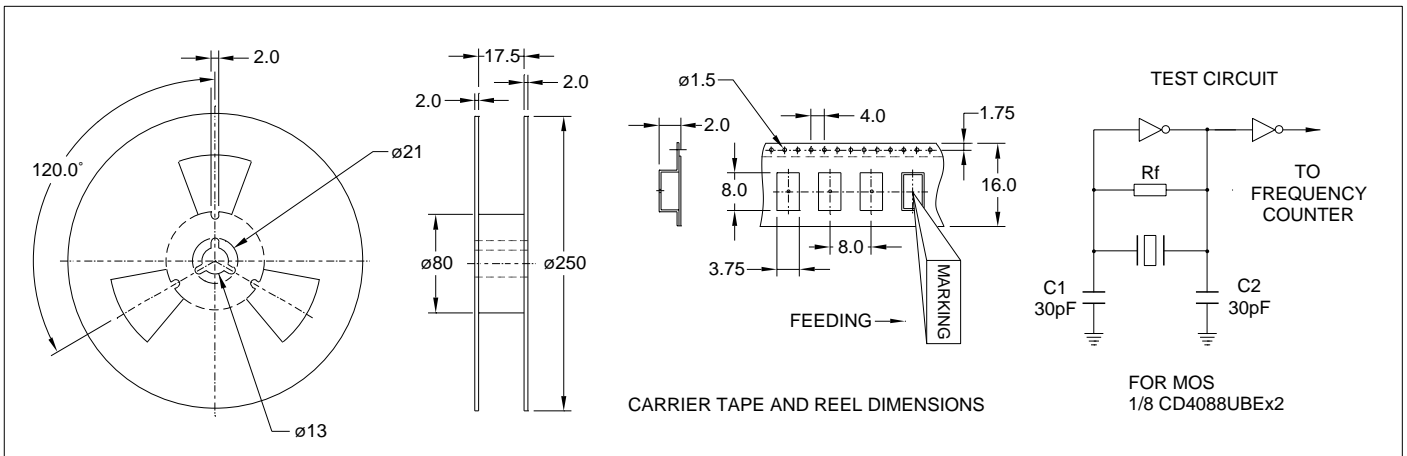
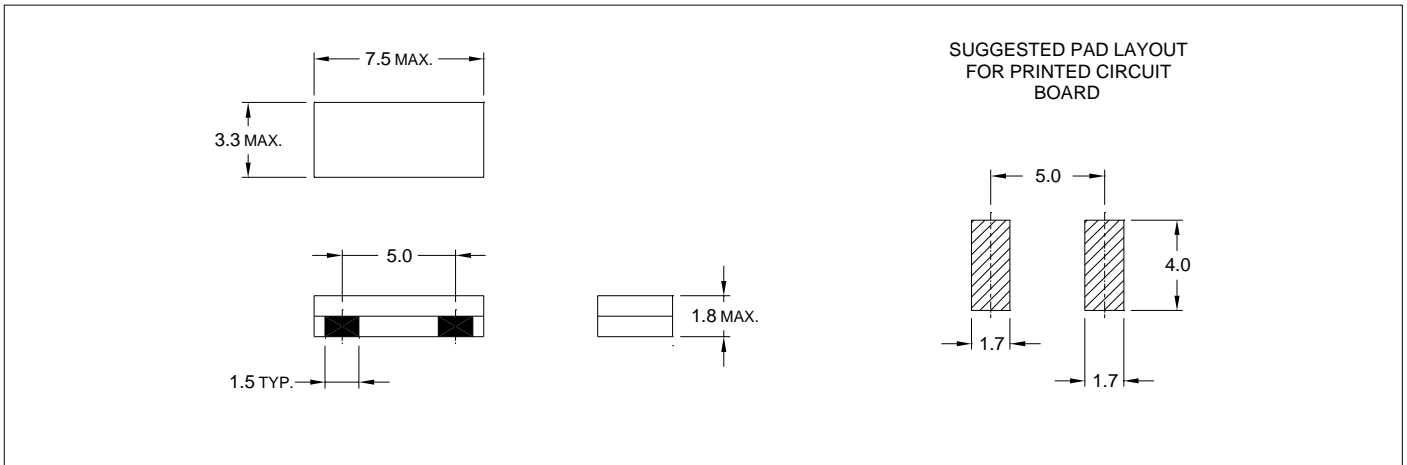


SPECIFICATION

SERIES NUMBER	T □.□□ MD Series (Refer Note 1)
FREQUENCY RANGE	1.79 MHz to 8.0 MHz
OSCILLATION FREQUENCY at 25°C	F _o ±0.5%
RESONANT IMPEDANCE	30Ω Maximum
CAPACITANCE	30pF±20%
OPERATING TEMPERATURE RANGE	-20°C to +80°C
TEMPERATURE CHARACTERISTICS	±0.3% Maximum
RATED VOLTAGE	50 Volts DC Maximum
INPUT VOLTAGE	15 Volts p-p Maximum
INSULATION RESISTANCE	100 MΩ Minimum
AGING 10 YEARS	±0.3%

NOTE:- 1 T □.□□ MD Series

└── FREQUENCY REQUIRED WHEN ORDERING



SPECIFICATION	
SERIES NUMBER	Z □.□□ MD Series (Refer Note 1)
FREQUENCY RANGE	1.79 MHz to 8.0 MHz
OSCILLATION FREQUENCY at 25°C	Fo ±0.5%
RESONANT IMPEDANCE	30Ω Maximum
CAPACITANCE	30pF±20%
OPERATING TEMPERATURE RANGE	-20°C to +80°C
TEMPERATURE CHARACTERISTICS	±0.3% Maximum
RATED VOLTAGE	50 Volts DC Maximum
INPUT VOLTAGE	15 Volts p-p Maximum
INSULATION RESISTANCE	100 MΩ Minimum
AGING 10 YEARS	±0.3%

NOTE:- 1 Z □.□□ MD Series
 └───┬───┘
 FREQUENCY REQUIRED WHEN ORDERING