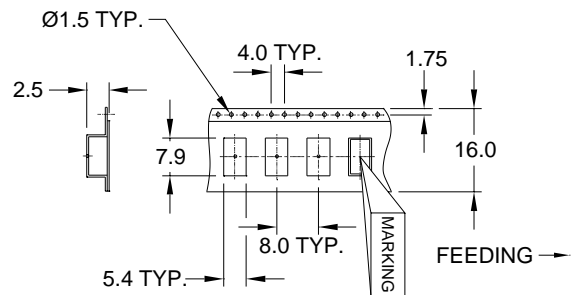
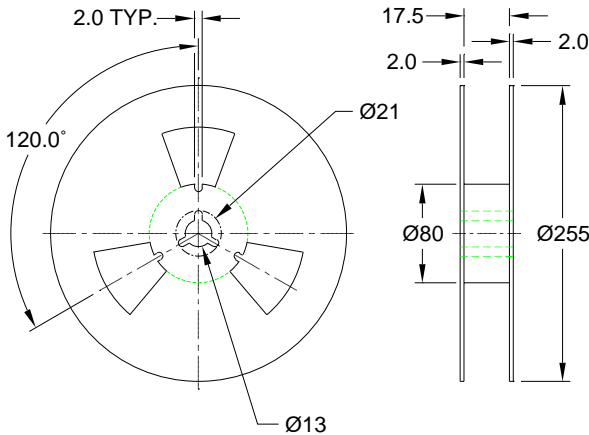


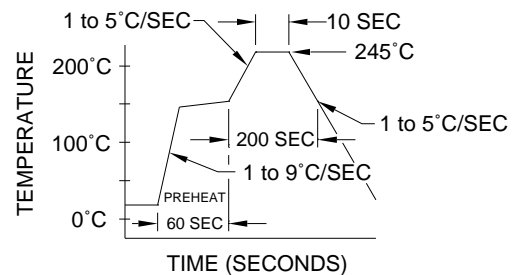
SUGGESTED PAD LAYOUT

| PAD CONNECTIONS |               |
|-----------------|---------------|
| PAD 1: Vcontrol | PAD 3: OUTPUT |
| PAD 2: GROUND   | PAD 4: Vcc    |

CARRIER TAPE AND REEL DIMENSIONS



INFRARED RAYS REFLOW



### SPECIFICATION

|                                  |  |
|----------------------------------|--|
| STANDARD FREQUENCIES             | 12.8MHz, 13MHz, 14.4MHz, 16.8MHz, 19.2MHz, 19.8MHz |
| FREQUENCY RANGE                  | 10 ~ 20MHz   |
| FREQUENCY STABILITY (Max)        | ±2.5ppm over -30°C ~ 85°C                          |
| FREQUENCY / VOLTAGE CHANGE (Max) | ±0.3ppm  |
| OUTPUT (Min)                     | 0.8Vp-p, DC Cut, Clipped Sine                      |
| LOAD                             | 10kΩ//10pF   |
| SUPPLY VOLTAGE                   | +3.0V ±5%  |
| CURRENT (Max)                    | 2mA  |
| AGING (TYPICAL)                  | ±1.0ppm per year @ 25°C                            |
| VOLTAGE CONTROL                  | ±5ppm ~ ±15ppm (+1.5V ±1V)                         |