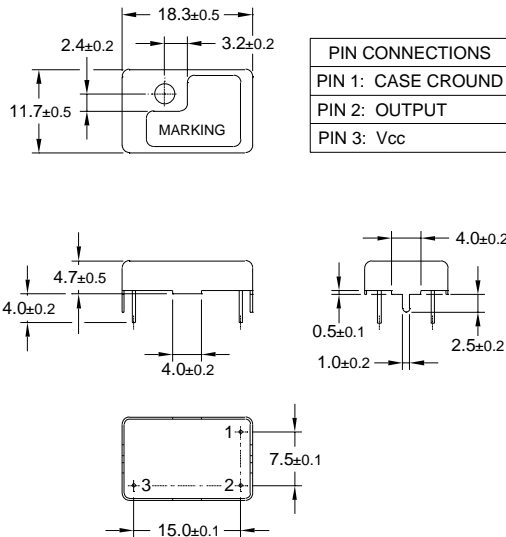
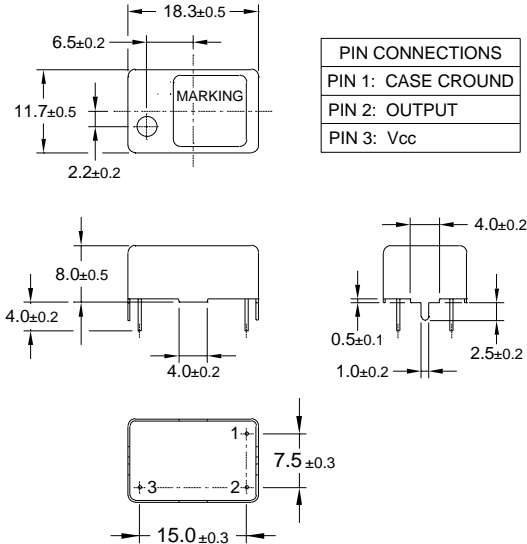


QTO-5210



QTO-5220



SPECIFICATION		
SERIES NUMBER	QTO-5210	QTO-5220
NOMINAL FREQUENCY	9.600 MHz to 20.000 MHz	
FREQUENCY ACCURACY	VS TEMPERATURE	±2.5ppm ±1.0ppm, ±1.5ppm, ±2.0ppm (CONSULT OUR TECHNICAL STAFF)
	VS SUPPLY VOLTAGE	±0.2ppm +5.0V ±5%
	AGING AT 25°C	±1.0ppm / YEAR
OPERATING TEMPERATURE RANGE	-30°C to +75°C	
STORAGE TEMPERATURE RANGE	-40°C to +85°C	
SUPPLY VOLTAGE	+5V ±5%	
SUPPLY CURRENT	2mA MAXIMUM	
OUTPUT VOLTAGE	1VP-P MINIMUM	
OUTPUT LOAD	10kΩ / 10pF	
FREQUENCY ADJUSTMENT	±3ppm MINIMUM	